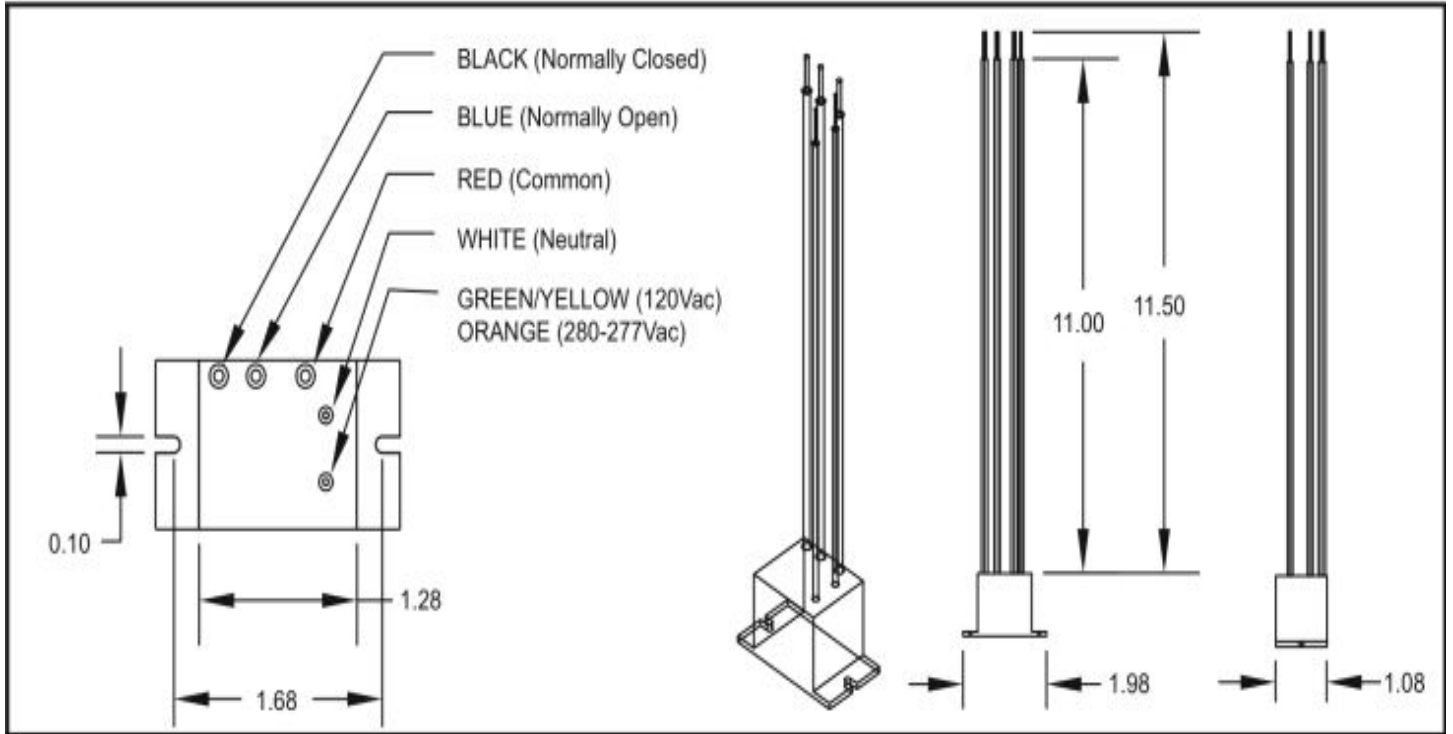


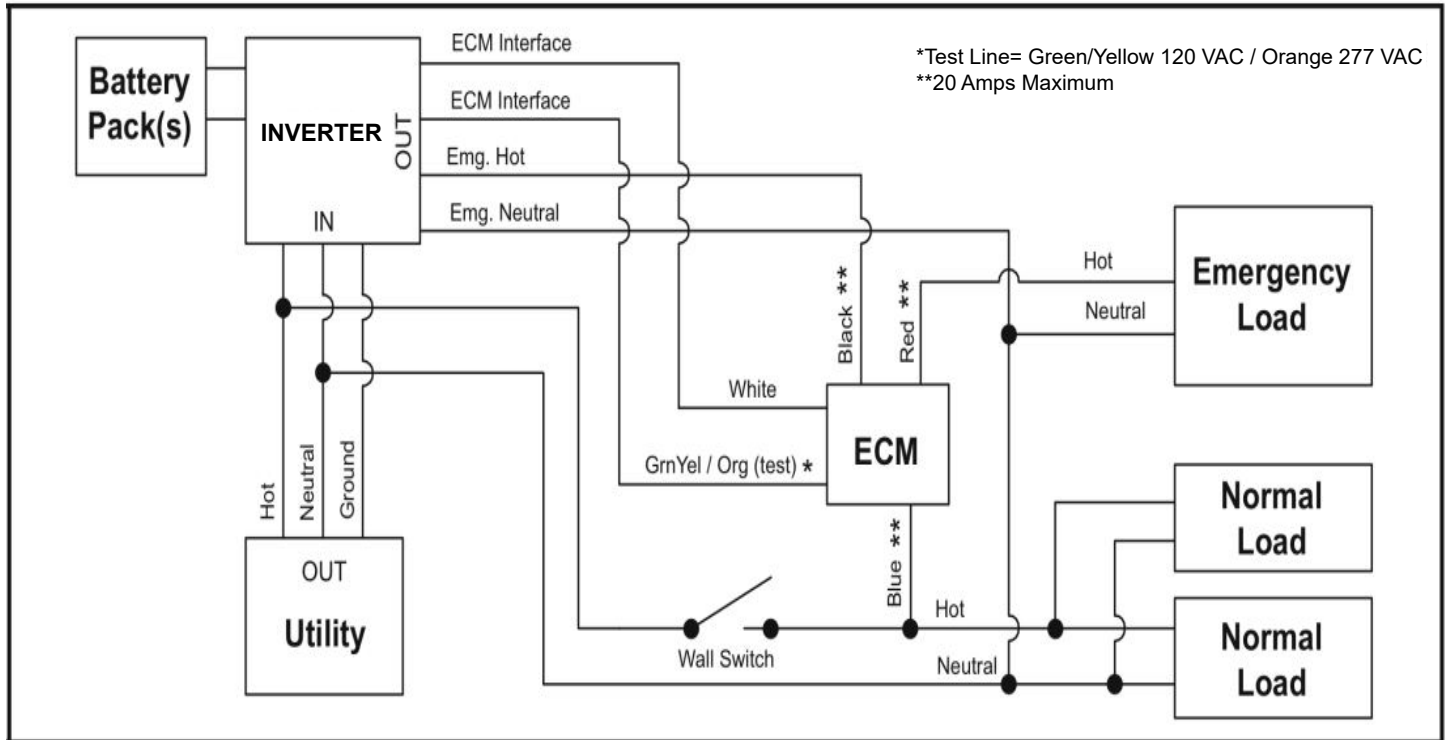
Accessories

Environmental Control Module Configuration

ECM Technical Drawing



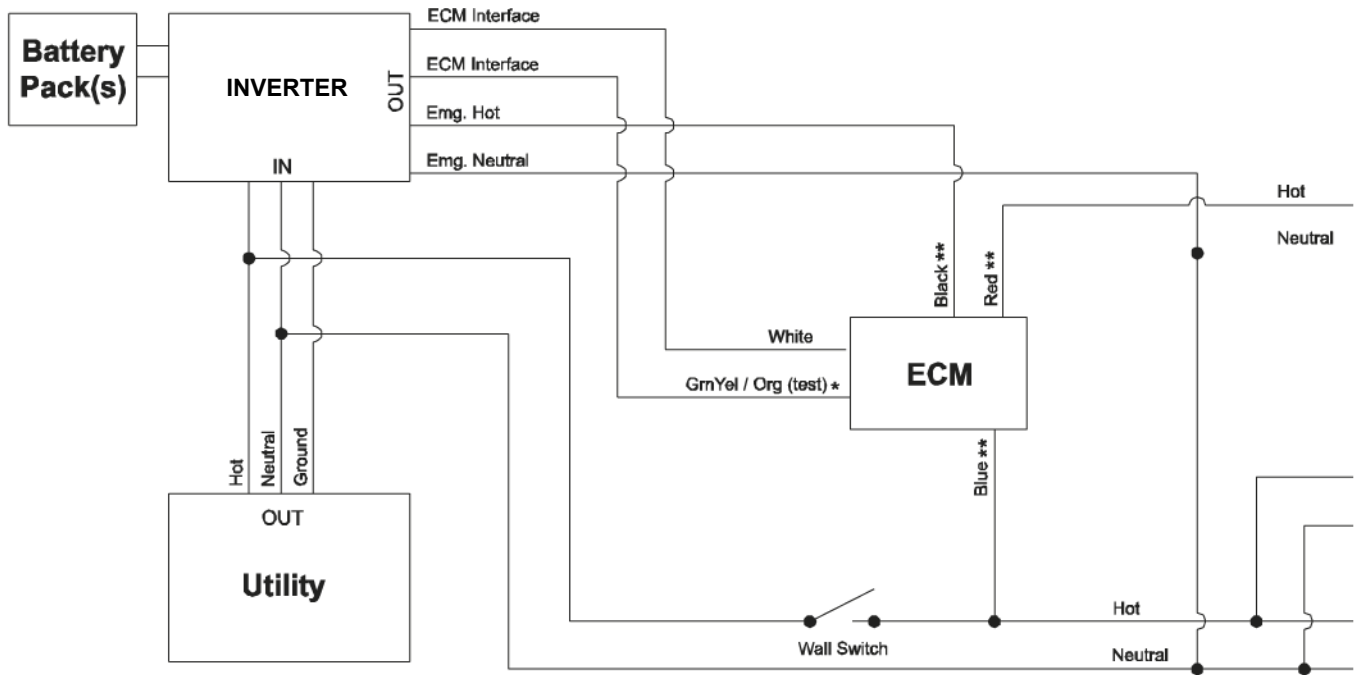
ECM Bypass Wall Switch



Accessories

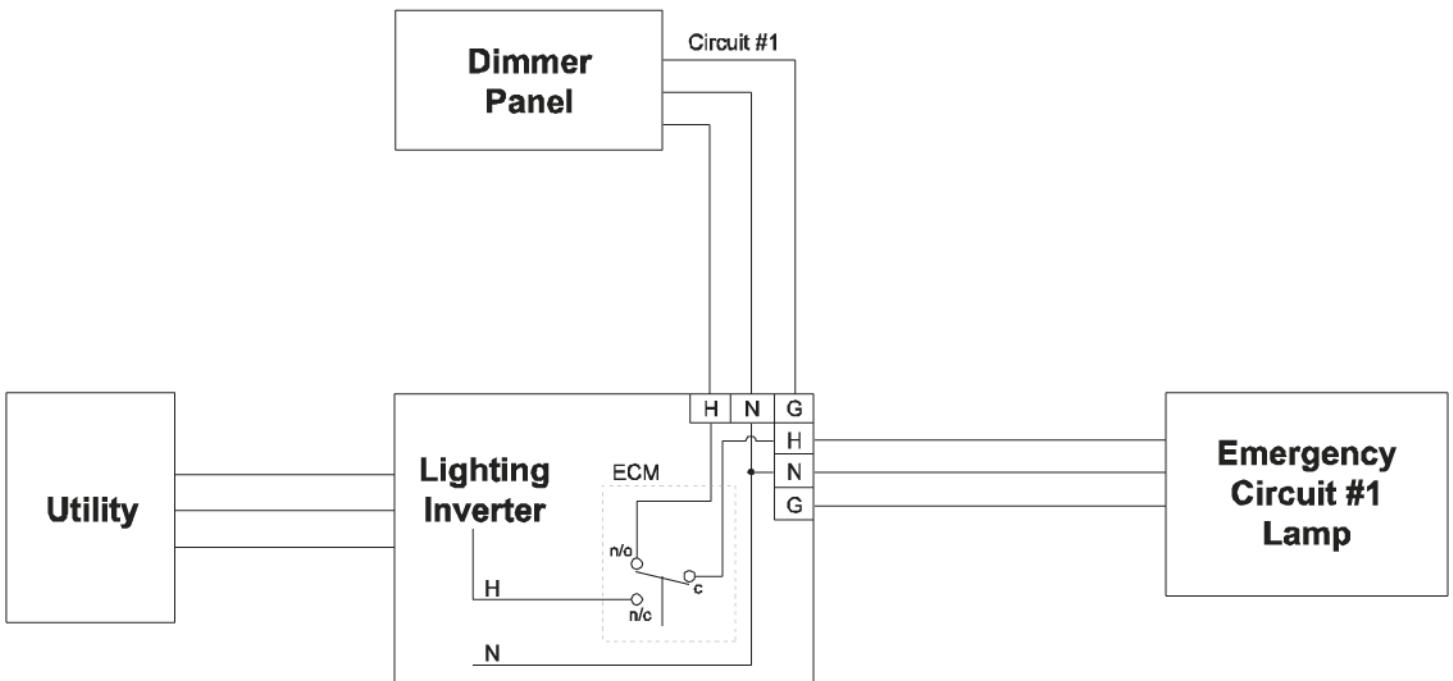
Environmental Control Module Configuration

Internal Dimming Bypass Wiring

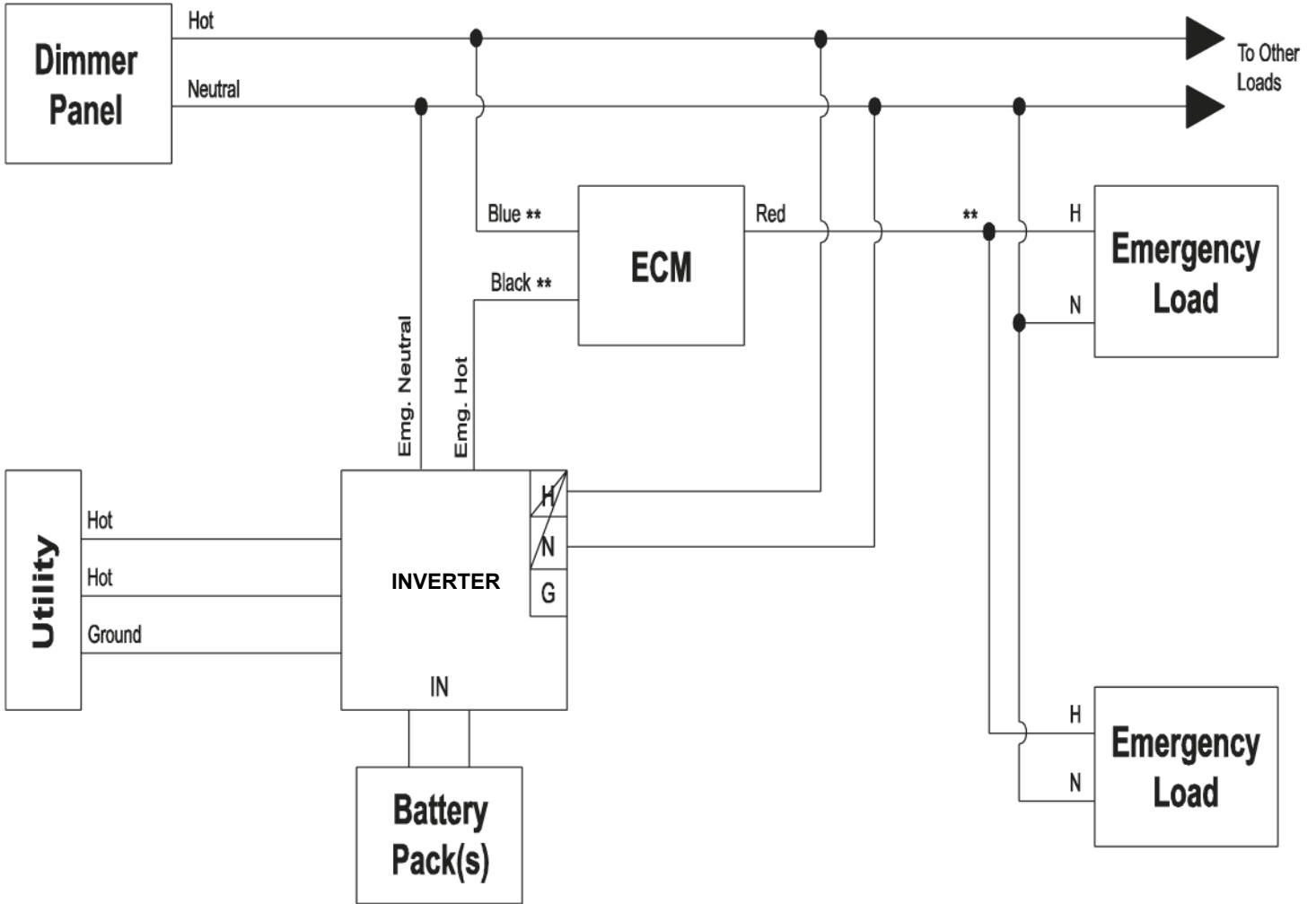


*Test Line= Green/Yellow 120 VAC / Orange 277 VAC

**20 Amps Maximum

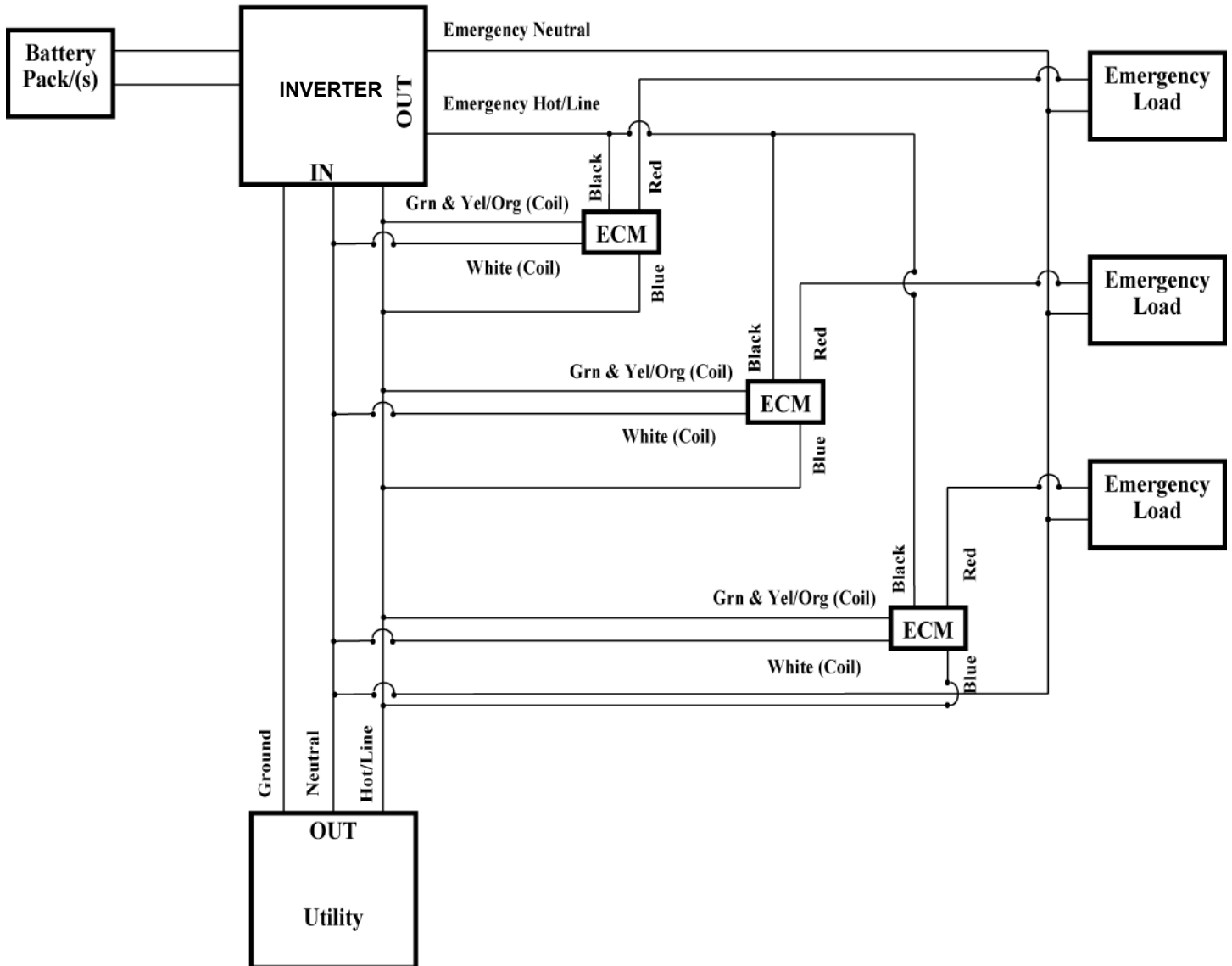


External Dimming Bypass



*Test Line= Green/Yellow 120 VAC / Orange 277 VAC
 **20 Amps Maximum

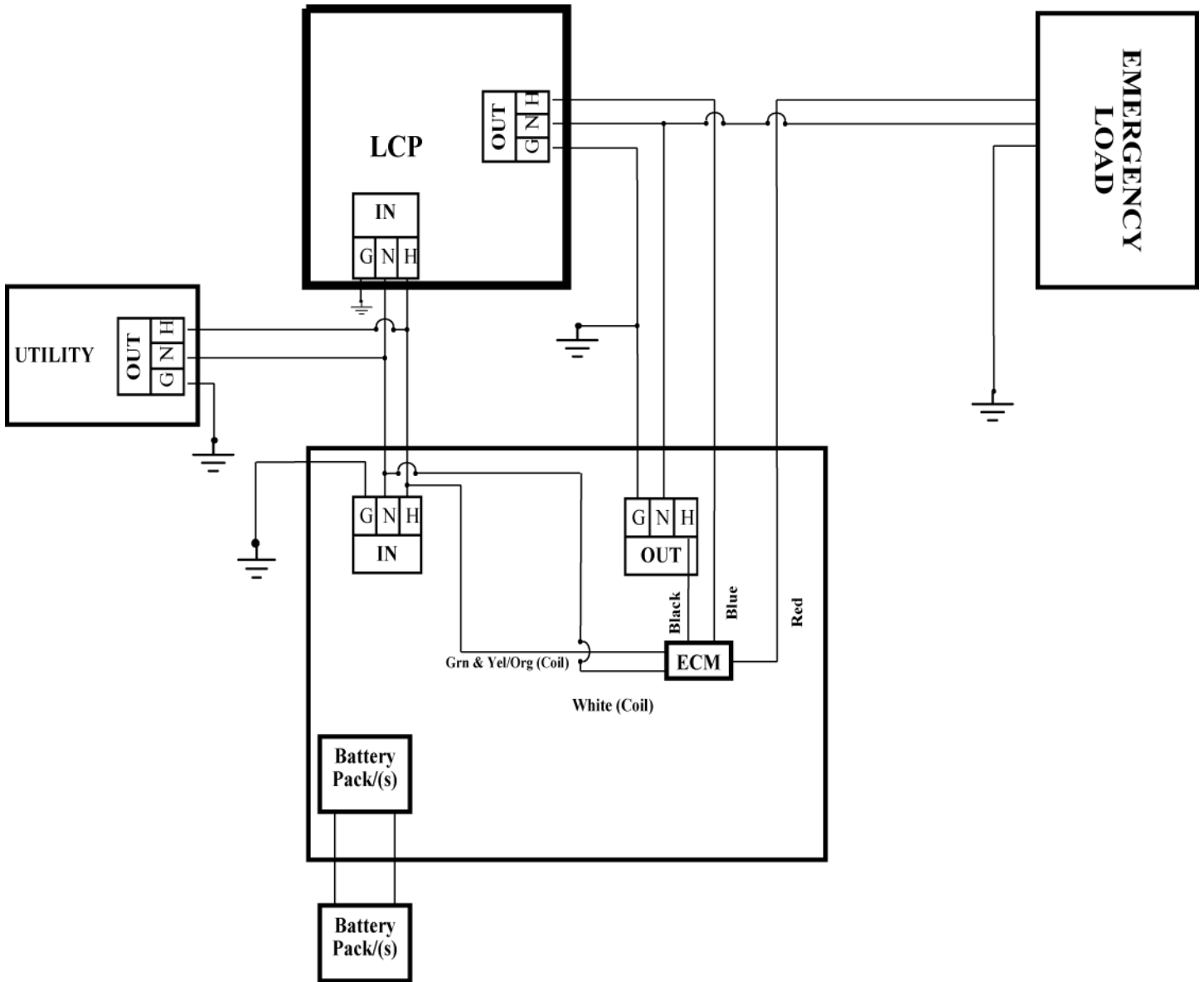
Multiple Output Branches



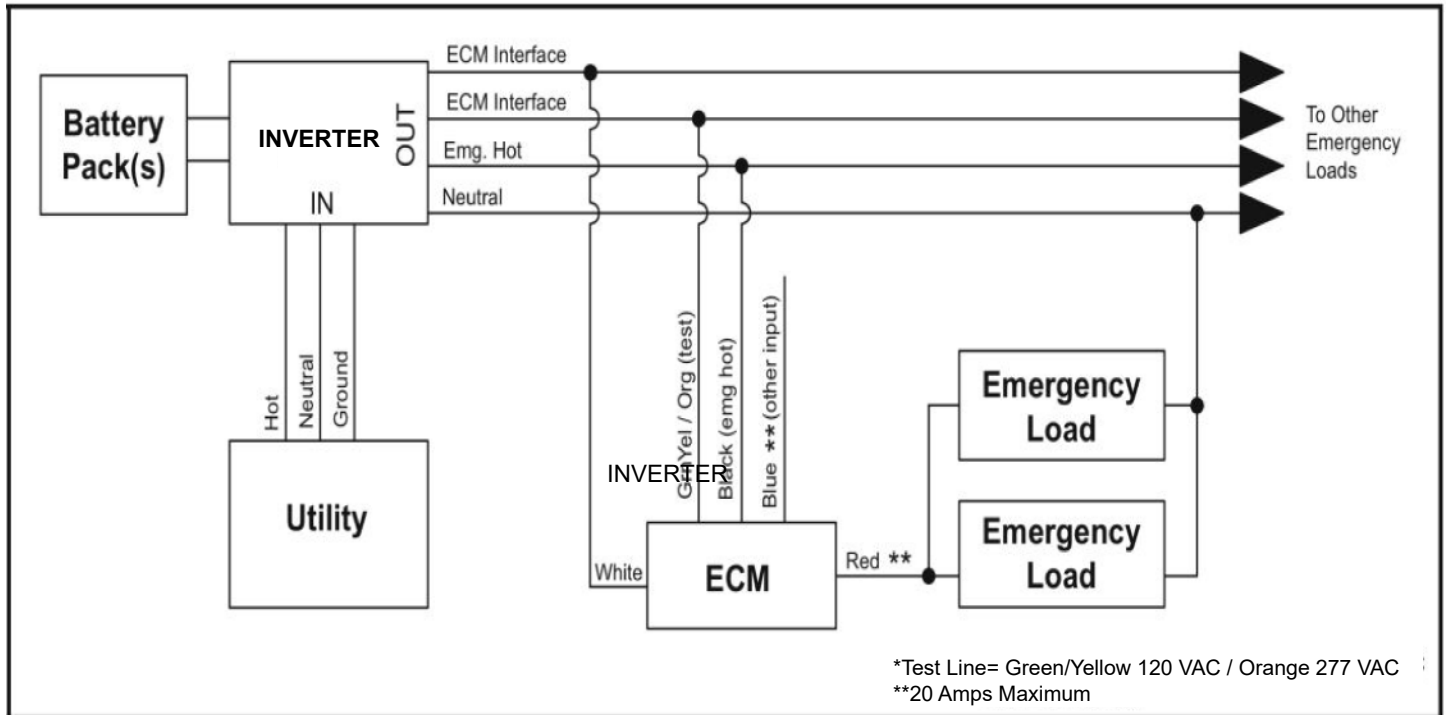
Accessories

Environmental Control Module Configuration

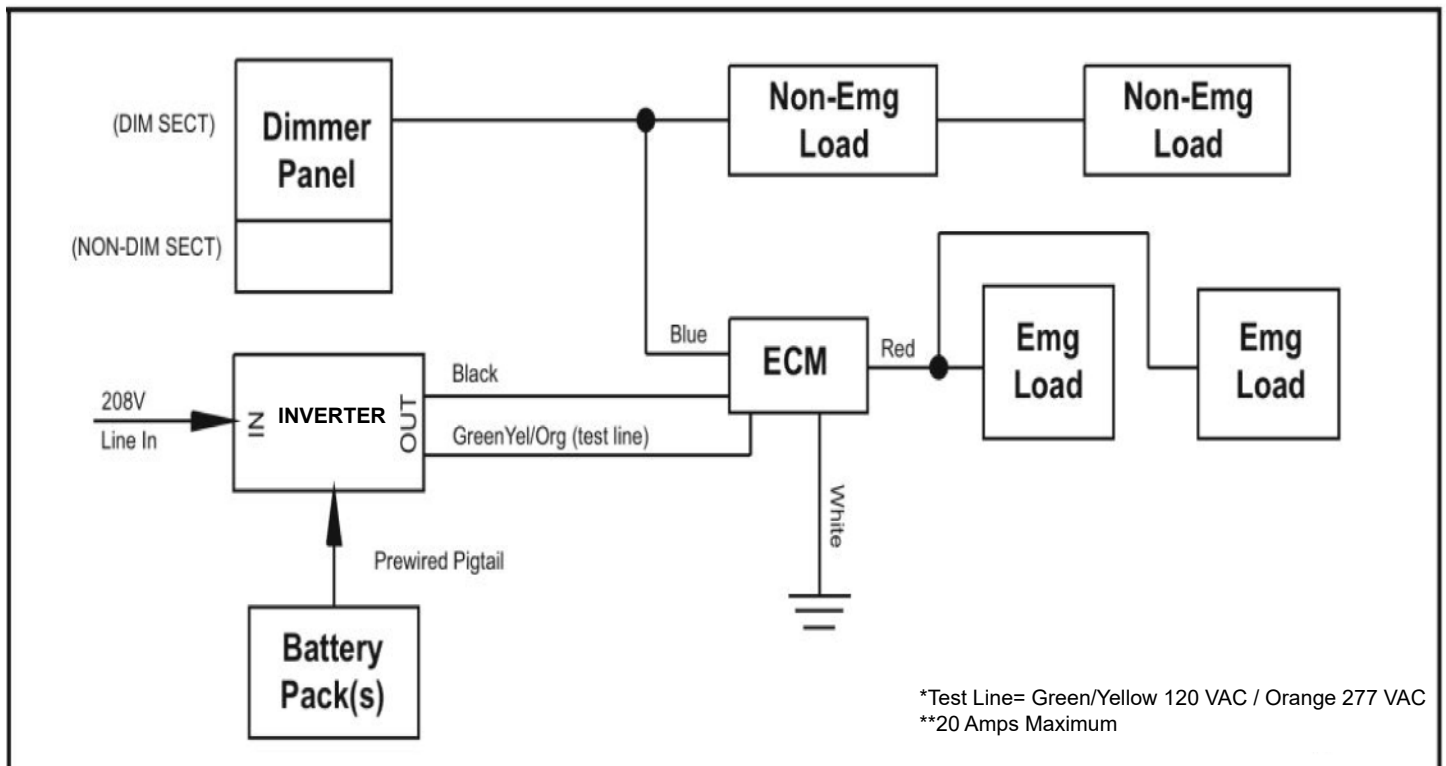
Lighting Control Panel



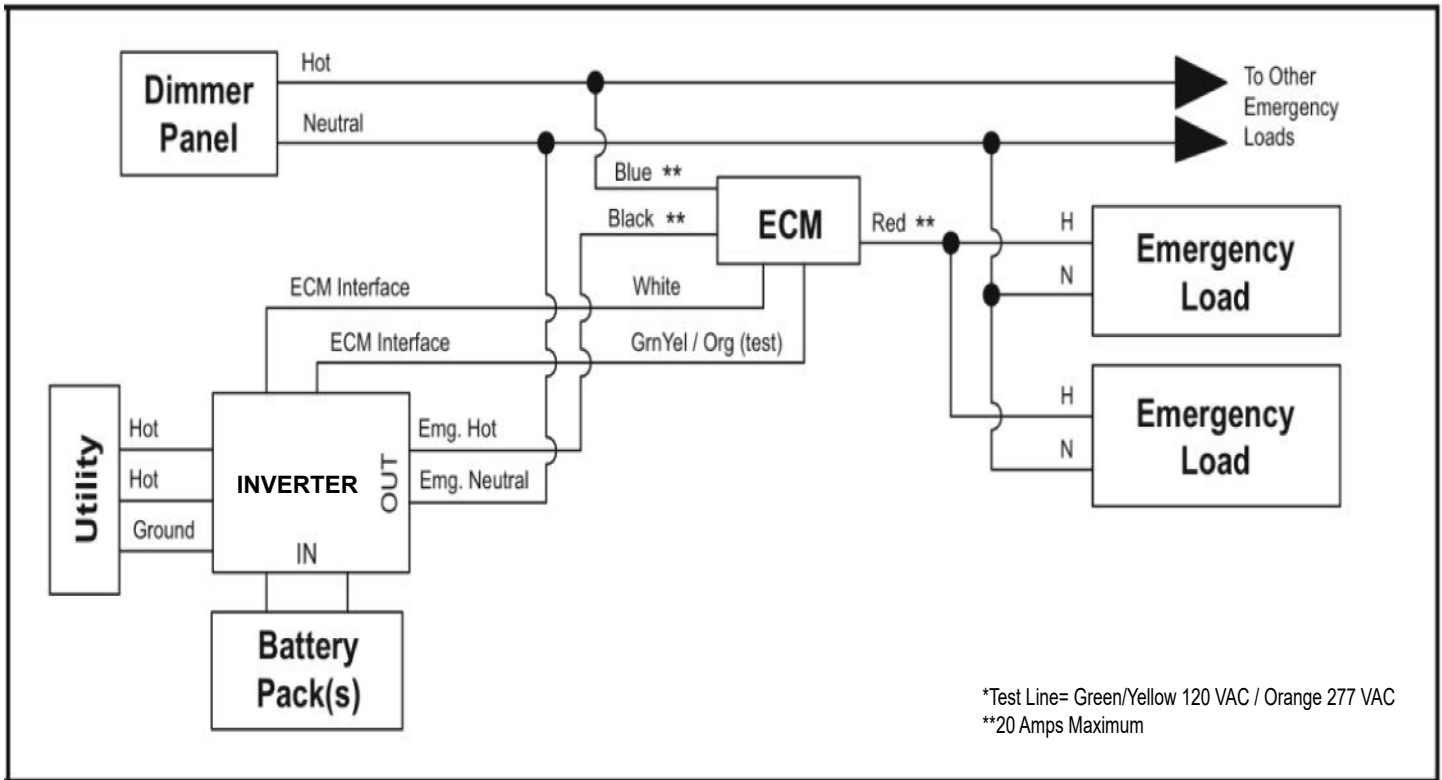
ECM Stand-By Mode



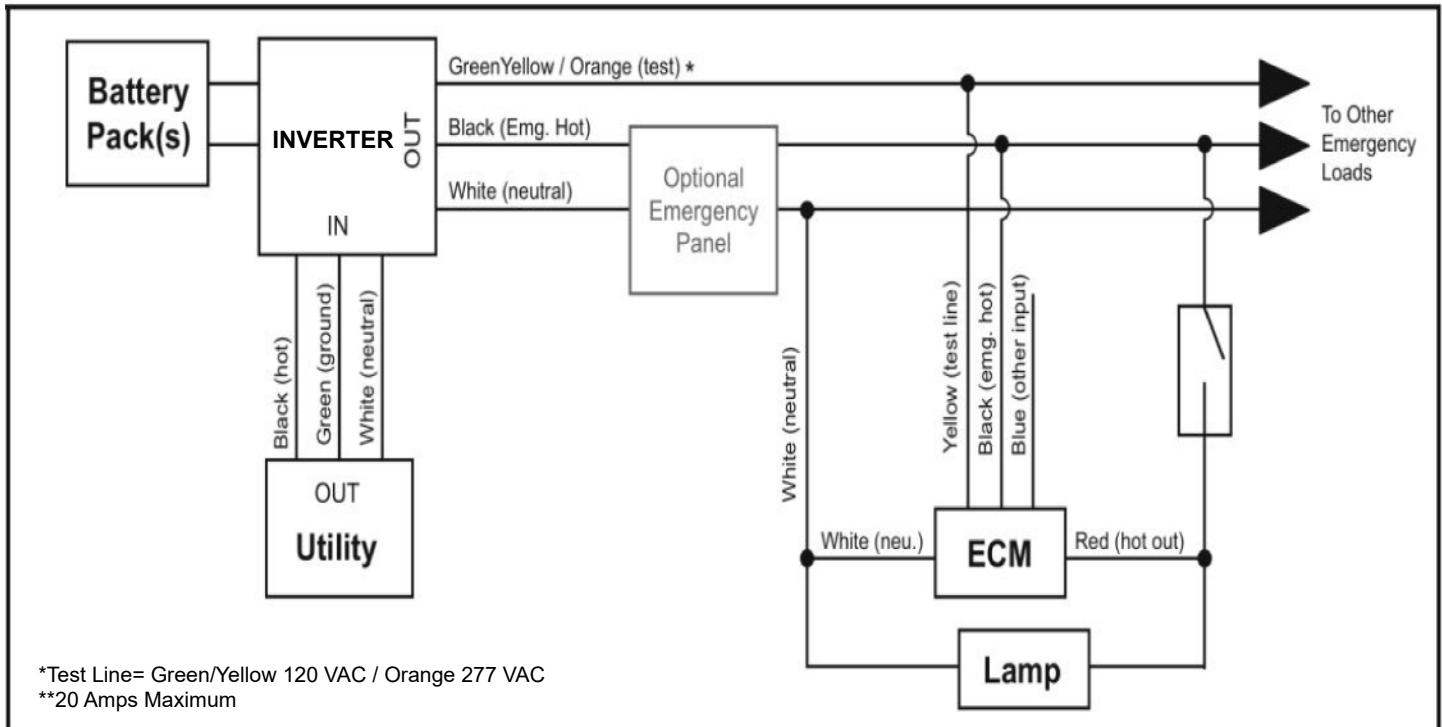
ECM Standard Dimming Panel



ECM Emergency Dimming Bypass



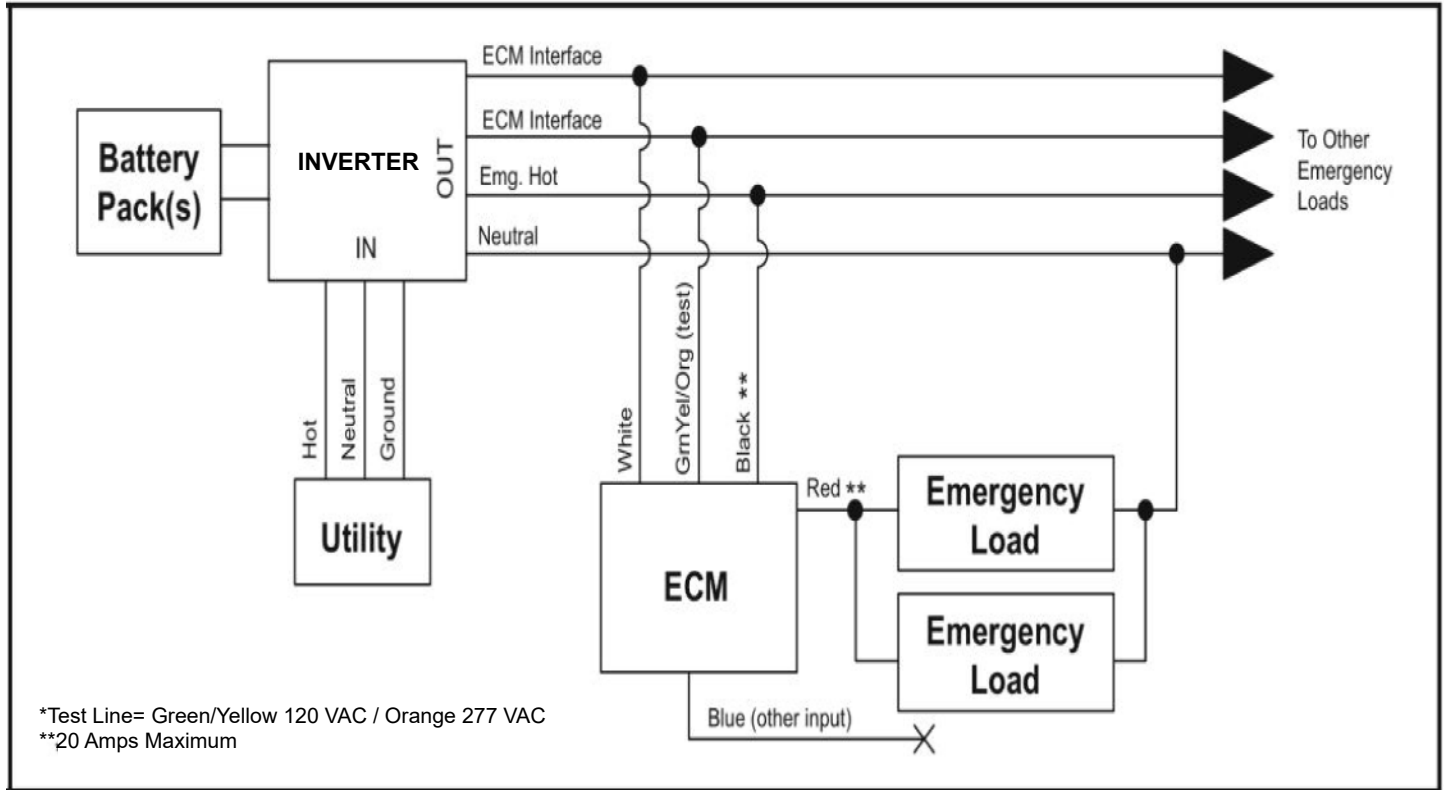
ECM Override Wall Switch



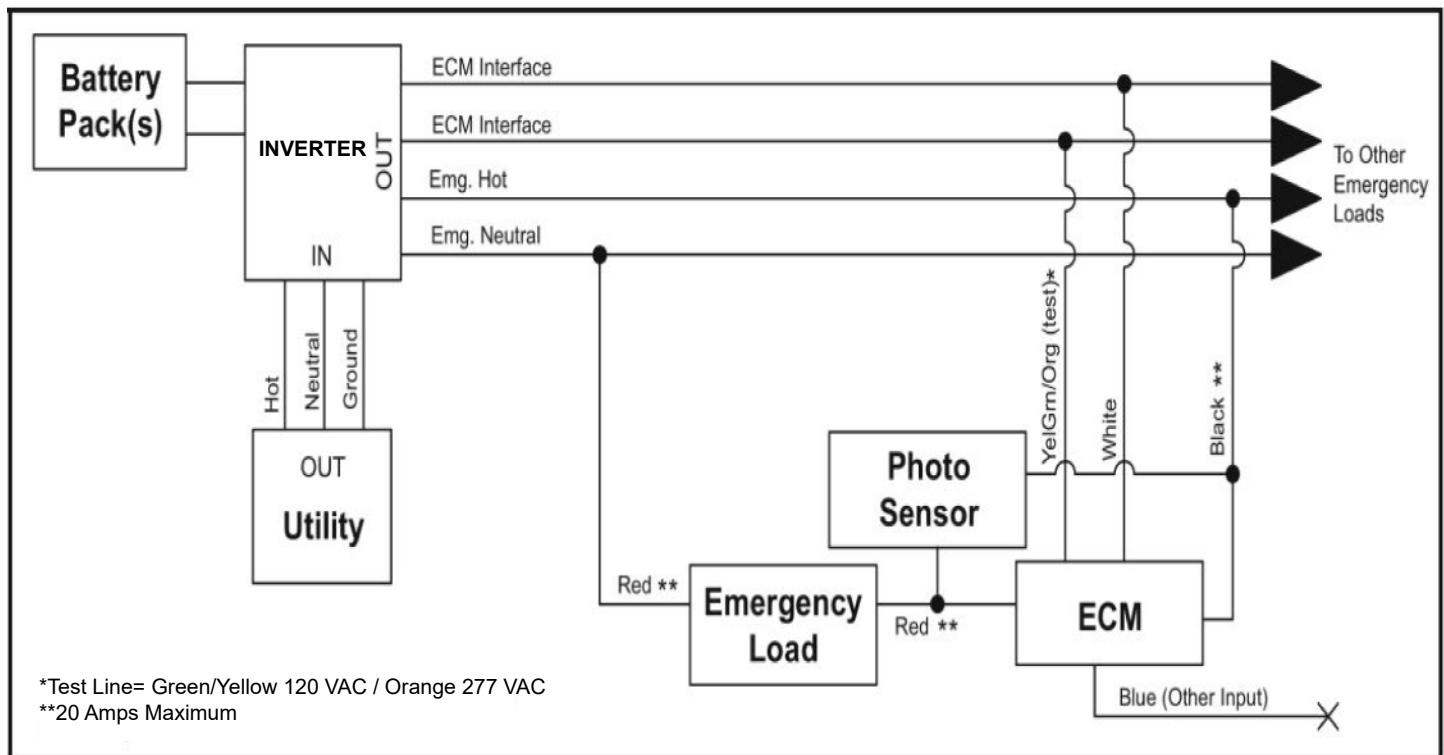
Accessories

Environmental Control Module Configuration

ECM OFF Warning



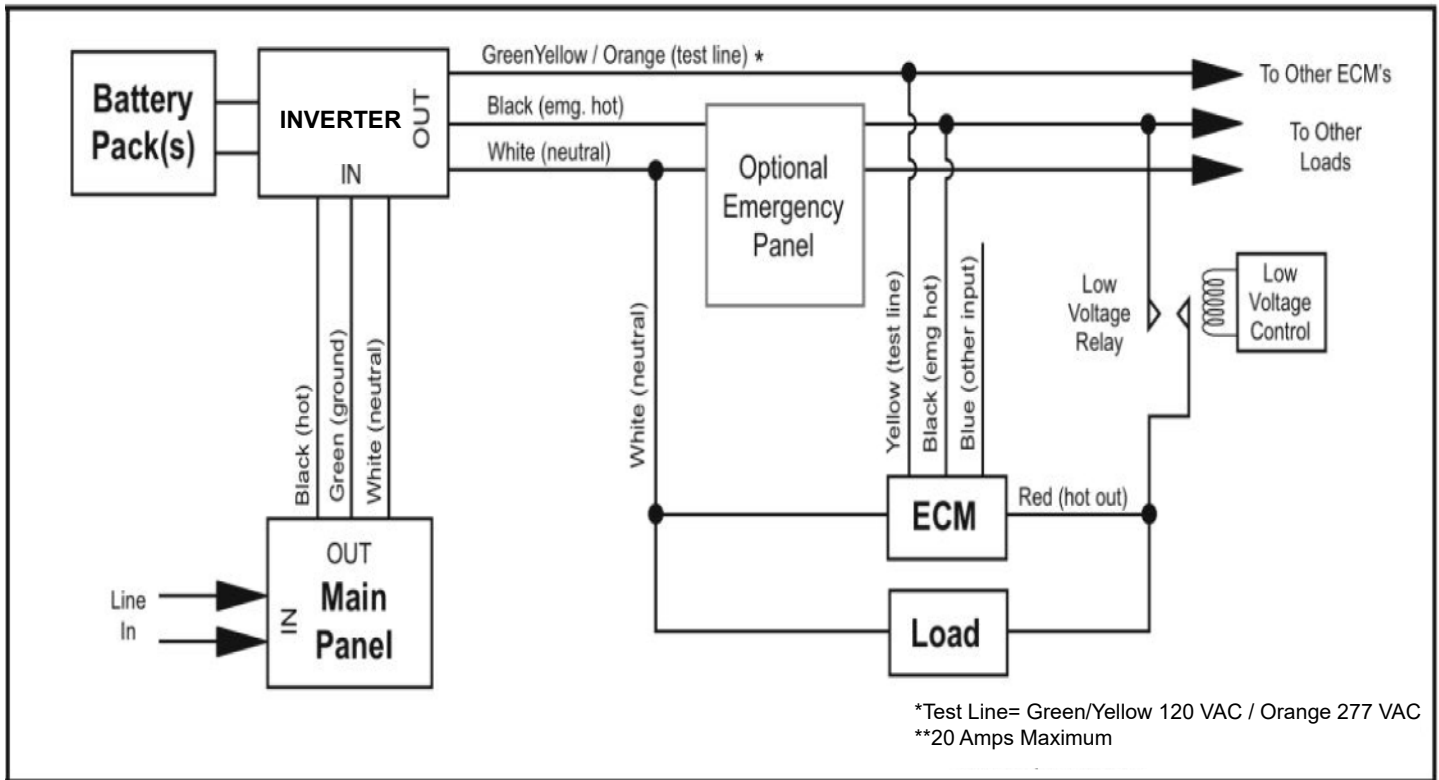
ECM Nitelight Override Mode



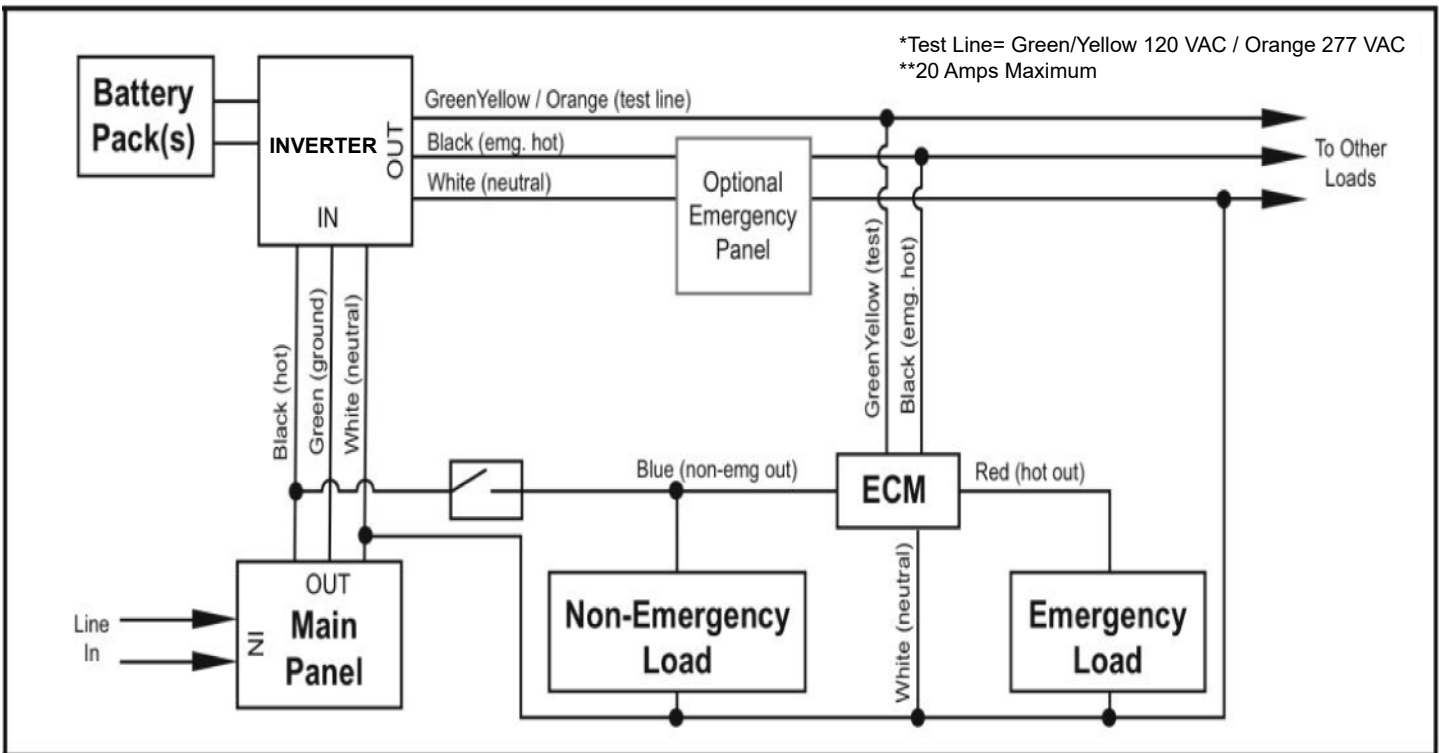
Accessories

Environmental Control Module Configuration

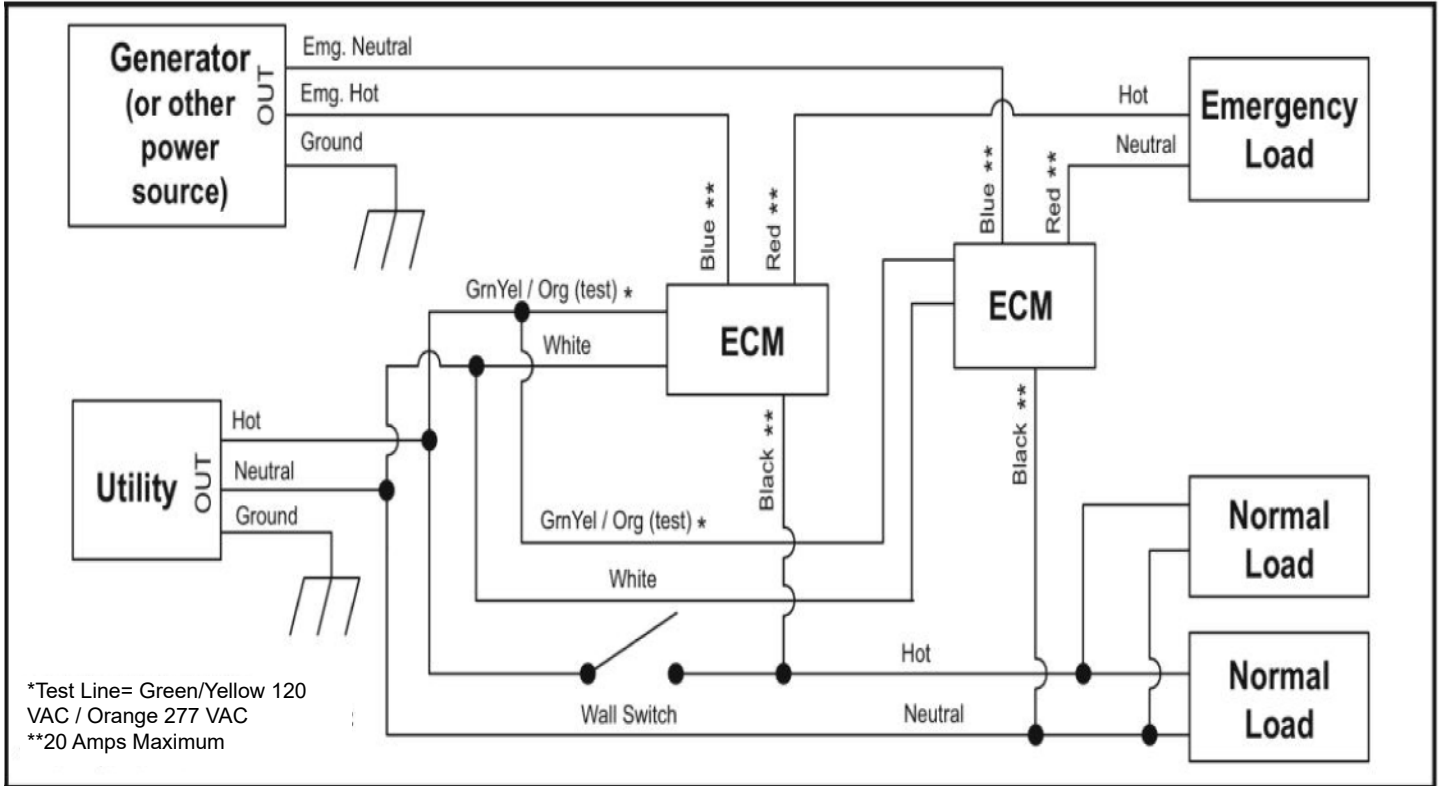
ECM Low Voltage Control



Emergency and Non-Emergency Common Switch



ECM Generator Standby Wall Switch



ECM Generator

